

OWNER'S MANUAL

Truxedo® Lo Pro QT



TRUXEDO®

Lo-Pro QT
Patented

PREMIUM SOFT ROLL-UP TONNEAU COVER

2209 Kellen Gross Dr., Yankton SD 57078

Phone: 1-877-TRUXEDO (1-877-878-9336) Fax: (605) 664-9304

Web Site: <http://www.truxedo.com>

P/N 1116967 Rev. T

LIFETIME WARRANTY

TruXedo warrants that all new, unused products are free from defects in material and workmanship. This Warranty is effective if the product is properly installed and used for the purpose intended for the life of the product. It applies to the original buyer only. TruXedo's obligation under this Warranty is limited to repairing, or at its option, replacing any part that is returned, transportation prepaid, to TruXedo, Yankton, South Dakota, if the product is, in our judgment, defective. All materials must be accompanied by an RMA (Returned Material Authorization) number requested by and authorized in advance of returning the materials. TruXedo shall not be liable or responsible to supply or pay labor to replace any part found defective, nor shall it be liable for any damages of any kind or nature to person, product, or property.

There are no Warranties for used products or products that have been repaired, altered, modified, subjected to misuse, negligence, accident or ordinary wear and tear. Limitations may apply to logo screen printing. Call 1-877-878-9336 for complete details.

TruXedo products are sold without any express warranty except as set forth above. TruXedo is not obligated to honor warranty claims if Genuine TruXedo parts are not utilized.

DIRECT ALL WARRANTY CLAIMS TO TRUXEDO AT 1-877-878-9336

Register online at www.truxedo.com or mail this form to:
TruXedo, P.O. Box 1078, Yankton, SD 57078-1078

Name: _____
Address: _____
City: _____ State: _____ Zip: _____
Phone Number: _____
Email Address: _____
Date Purchased: _____ Price Paid: _____
Dealer Name: _____
Pickup Make: _____
Model: _____ Year: _____

Product Purchased:
 Original TruXedo
 TruXedo Lo Pro QT
 TruXedoPlus
 TruXport
 TruXedo Deuce
 TonneauTraX
 TonneauMate
 Edge

OWNER/USER RESPONSIBILITIES

It is the responsibility of the owner/user to read this manual and comply with the operating procedures. The owner/user is also responsible for inspecting the TruXedo® cover, and for having parts repaired or replaced when worn or damaged.

Failure to follow safety instructions and warning labels could result in failure of your cover system and/or personal injury.

MESSAGES TO INSTALLER

- Always wear safety glasses and/or other necessary protective equipment when installing your TruXedo®.
- These instructions are complete for most pickup models. Additional instructions are included, if required for your truck. Please read entire manual before installing your TruXedo®.

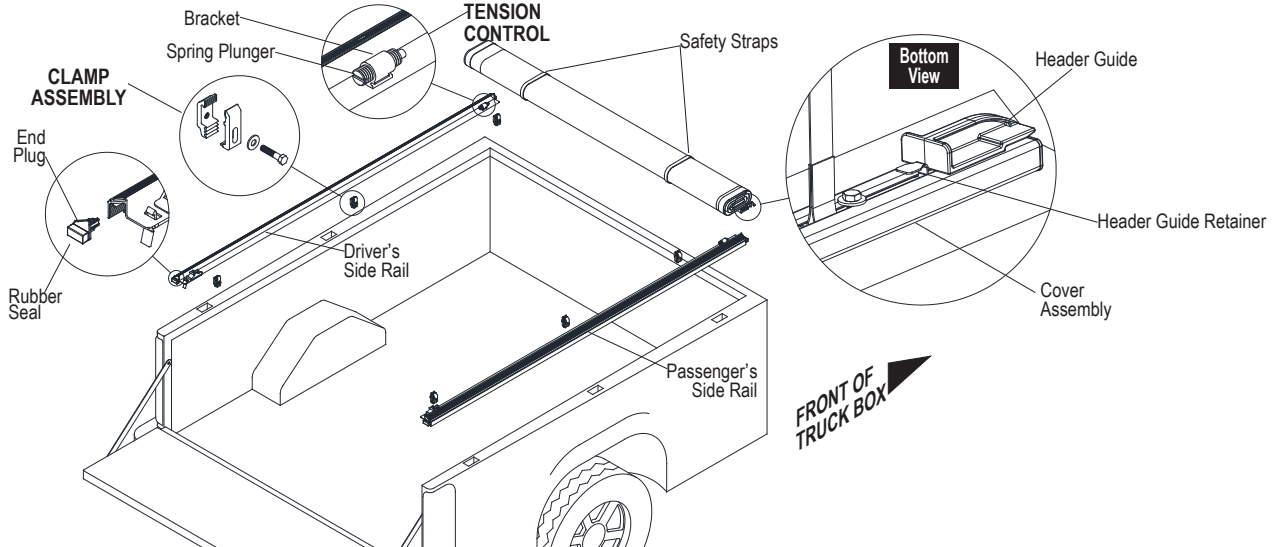
COVER MAINTENANCE

Vinyl cover can be hand washed with mild soap and water or cleaned in a car wash. Thoroughly rinse cover to remove any soap residue. Cover can be treated with any vinyl protectant made for tonneau covers. **Never use silicon, petroleum, or citrus based products on your tonneau cover.**

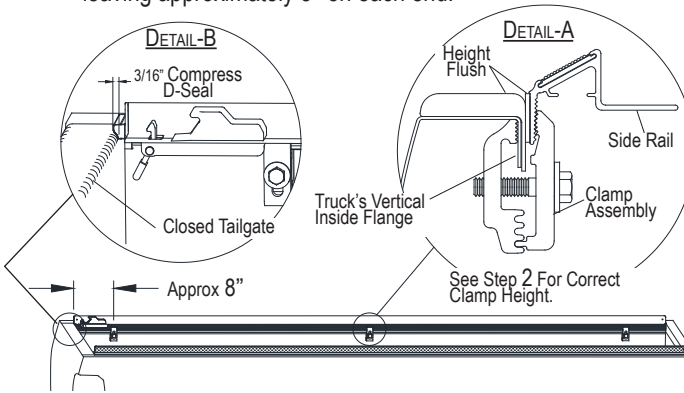
SAFETY INSTRUCTIONS

1. **Do not place objects on or against cover or framework.**
2. **Do not tie cargo to TruXedo® framework.**
3. **Never allow children or pets to occupy pickup box while cover is closed.**
4. **Cover is not airtight. Special care is required to keep cargo clean and dry.**
5. **Fabric cover won't prevent theft of contents inside truck box.**
6. **Cover must be rolled fully open and secured with safety straps when towing vehicle backwards.**

SIDE RAIL & COVER INSTALLATION

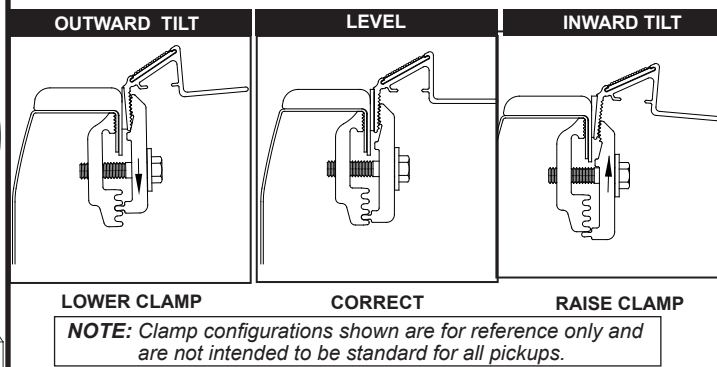


STEP 1: Attach the TruXedo rails to the truck's vertical inside flange as shown in Detail A. To get the correct TruXedo rail alignment from front to back, See Detail-B. Compress the rear D-seal against the closed tailgate and hold. Attach clamps starting at the tailgate. Evenly space 3 clamps along each TruXedo rail, leaving approximately 8" on each end.



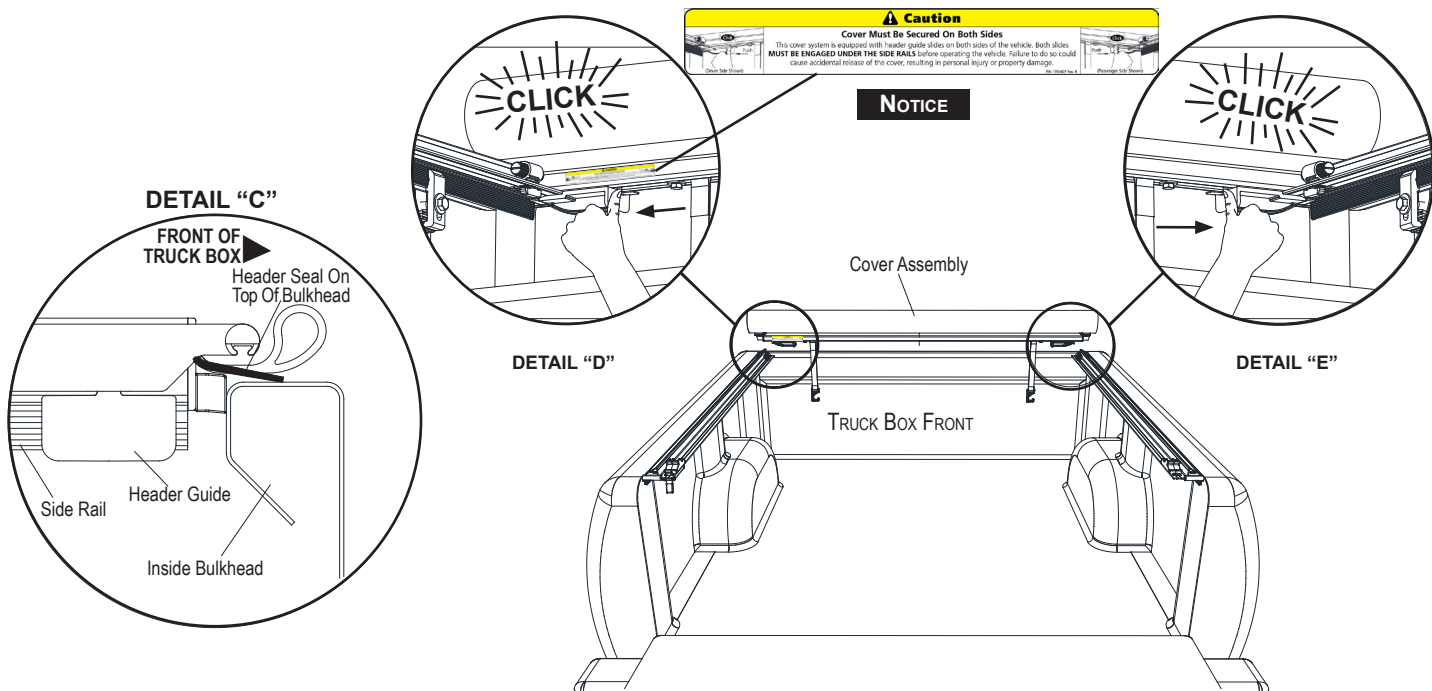
STEP 2: For optimum latching performance and cover fit, side rails must be level. To adjust rails, loosen screws and reposition male clamps higher or lower. Tighten all clamps.

WARNING Tighten clamps securely on side rails before driving vehicle.



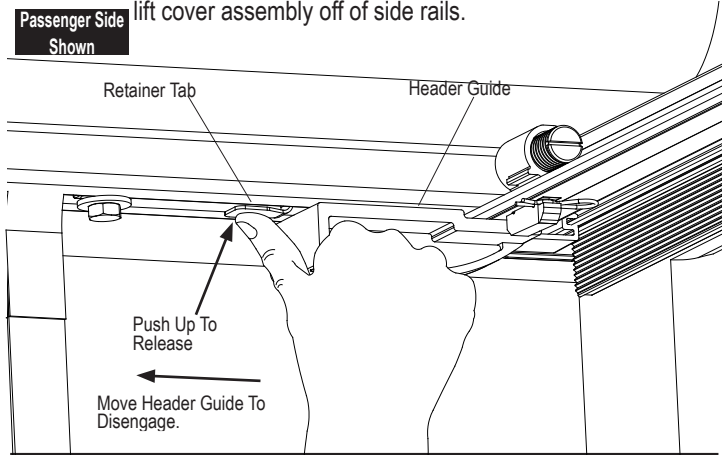
STEP 3: Set cover assembly behind cab with header seal on top of of bulkhead. See detail C.

STEP 4: Push header guides into place under side rail. A **click** sound will indicate a secure attachment. See detail D & E below.

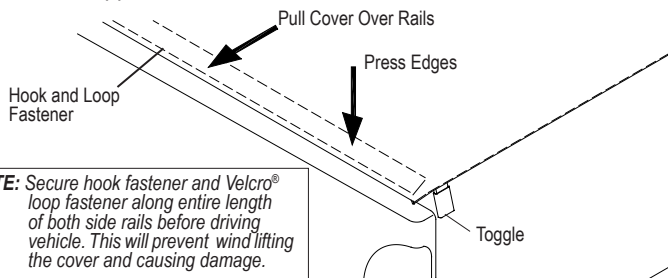


HOW TO REMOVE COVER ASSEMBLY

STEP 5: If you want to remove cover assembly push up on retainer tab with thumb and pull header guide over retainer until it stops. Do this for both passenger and driver side. Then lift cover assembly off of side rails.



STEP 7: Secure hook fastener and Velcro® loop fastener strips on one side of rail, by pressing along full length of rail. Pull cover tight across pickup bed, and secure fasteners on opposite side rail.

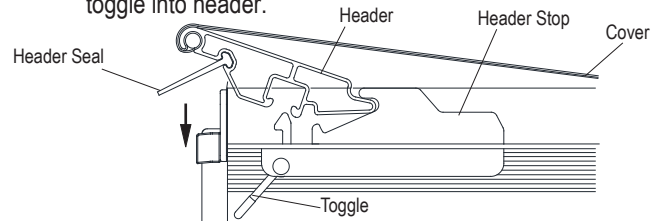


NOTE: Secure hook fastener and Velcro® loop fastener along entire length of both side rails before driving vehicle. This will prevent wind lifting the cover and causing damage.

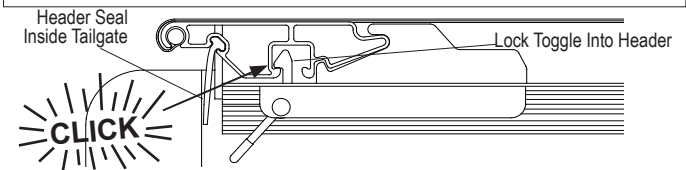
LATCHING & UNLATCHING COVER

STEP 6: Always close cover before closing tailgate.

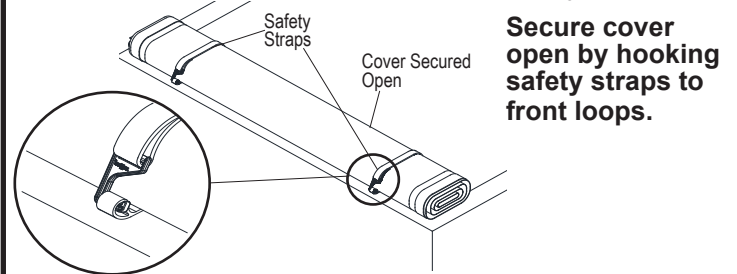
Unroll cover toward tailgate and rest bows on side rails. Rotate header into header stops and press down to lock toggle into header.



NOTE: If tailgate has a key lock, TruXedo® is secured until tailgate is unlocked and opened.

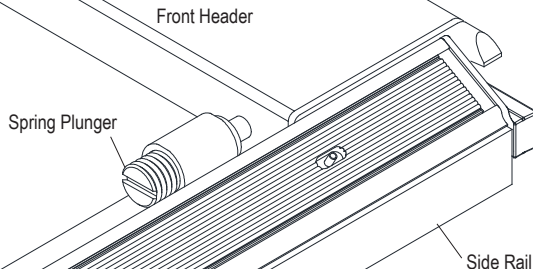


STEP 8: To release cover, Trigger pull rear release toggle. Start rolling cover toward cab making sure both sides of cover roll evenly. For best results leave unrolled portion of cover attached to the hook fastener and Velcro® loop fasteners while opening.



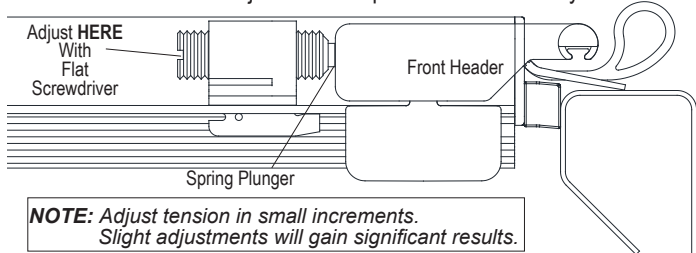
COVER TENSION ADJUSTMENT

**EVER-TITE™
AUTOMATIC
TENSION
CONTROL**

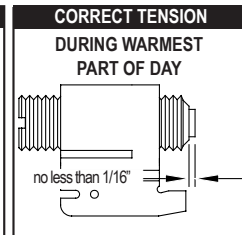
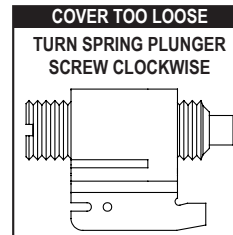


- Spring plunger compensates for material expansion & contraction caused by temperature changes.
- Check cover tension after installation, seasonally, and after extreme temperature changes.
- For best performance, adjust tension regularly to protect your cover against wind wear.

STEP 9: Set tension during **warmest part of day**. With cover closed, release hook and loop fastener from both side rails near cab. Check compression of both spring plungers against the front header per diagram. Roll cover open and make adjustments. Close cover and re-check adjustment. Repeat until satisfactory tension has been achieved.



NOTE: Adjust tension in small increments. Slight adjustments will gain significant results.



TROUBLE SHOOTING

Questions?

Call our friendly customer service staff at TruXedo Toll Free:

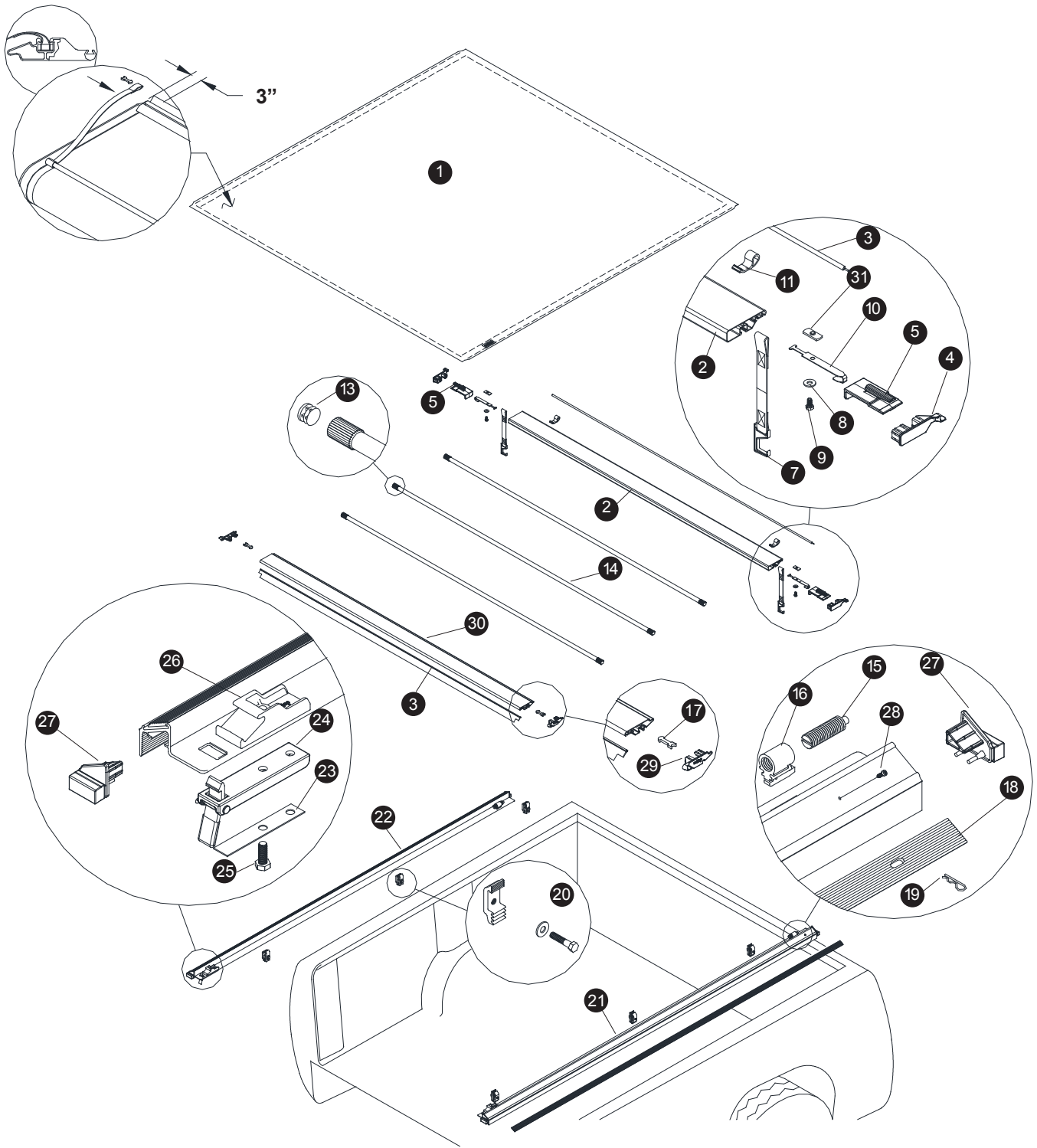
1-877-878-9336
Mon - Fri 8 am - 5 pm CST

HEADER WILL NOT LATCH:

- Check side rails to make sure they are level. See Step 2.
- Make sure the header seal is not caught between side rail & header.
- Check position of side rails on pickup box, they may be positioned too low. See Step 1.
- Make sure cover has proper tension. See Step 9.

FABRIC COVER IS TOO TIGHT OR TOO LOOSE: See Step 9 to adjust tension.

* VELCRO® is a registered trademark of the Velcro companies.



TRUXEDO® LO PRO QT REPLACEMENT PARTS

1	*	TruXedo® Lo Pro QT Replacement Cover	11	1704715	Extruded Retainer Loop	21	*	Side Rail, Passenger's Side
2	*	Black Front Header	12	*		22	*	Side Rail, Driver's Side
3	*	Header Seal, Notched	13	1705052	End Plug, 1" OD	23	1114773	Flat Spring, 5/8" x 3 7/8"
4	1117540	Front Header 08 End Plugs (Set of Two)	14	*	Black Bow	24	1704213	Latch Assembled
5	1704604	Header Guide_QT	15	1702992	Spring Plunger, 5/8" x 2.15"	25	1702926	Cap Screw, 5/16" x 7/8"
6	*		16	1703260	Tension Control Bracket	26	1704187	Header Stop
7	*	Safety Strap	17	1115354	Header Insert Safety Clip	27	1115373	Side Rail End Plugs w/Seal (Set of Two)
8	1700428	Washer Flat 5/16"	18	*	Hook and Loop Fasteners	28	1704383	Filister Head Screw
9	1704606	Cap Screw, 5/16-18 x 5/8"	19	1703332	Hitch Pin, 1/16" x 1 5/16"	29	1117467	Rear Header 08 End Plugs (Set of Two)
10	1117591	Header Guide Retainer.	20	1115191	Aluminum Clamp Assy	30	*	Black Rear Header
						31	1704194	Weld Nut 5/16-18 ZP

* Please specify length or make and model of vehicle.