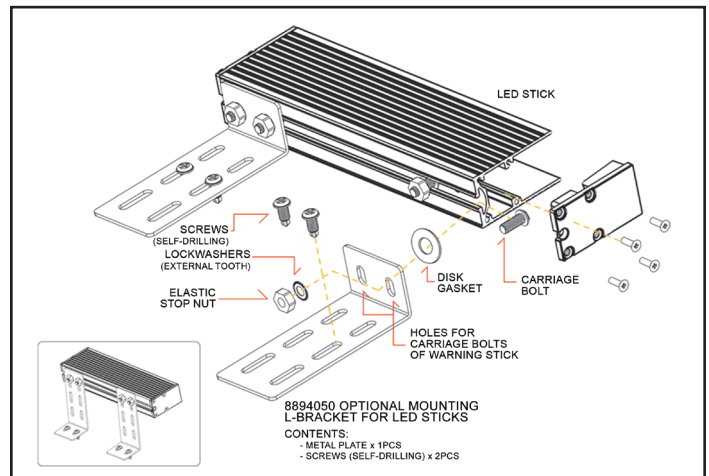
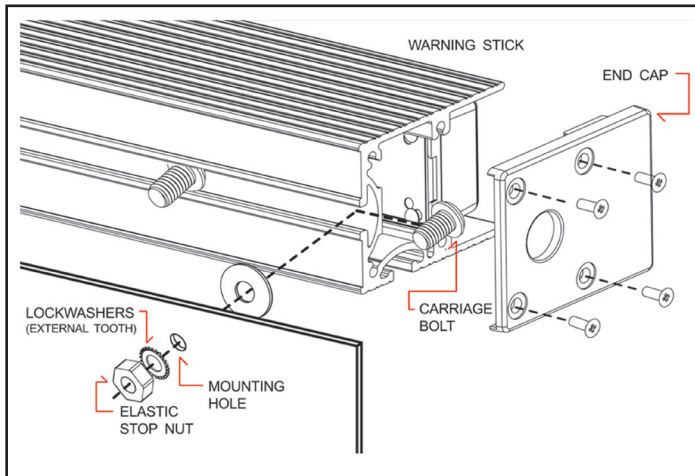


Installation Instructions

8894037 & 8894047 Traffic Arrow Light Bars

Installation

1. Remove end cap (side without cable) and insert mounting carriage bolts.
2. For surface mount, drill 1/4" holes through the mounting surface
3. Place disk gasket on each bolt and insert bolts into mounting holes.
4. Place lock washers and nylon lock nut on each bolt and tighten.



Wiring

Table 1

PART NO.	LEDs	HEADS	FUSE RATING
8894037	3	8	5 Amps
8894047	4	8	10 Amps

Table 2

LIGHT BAR WIRING	FUNCTION
Orange	To +VDC for left arrow (joined with Blue for center arrow)
Blue	To +VDC for right arrow (joined with Orange for center arrow)
Brown	To +VDC for warning patterns (Orange & Blue must be deactivated)
Yellow	Pulse +VDC for pattern change
Red	To +12VDC (fused according to Table 1)
Black	To chassis ground
Green	To +VDC for low power (Dims LEDs)
White	Flashing Patter readout (only used with 6391207 Switch Panel Sold Separately)

Table 3

FLASH PATTERN NO.	ARROW PATTERNS (LEFT, RIGHT & CENTER)	WARNING PATTERNS
1	Sweep Single	Random
2	Sweep Double	Outside-In Single
3	Sweep Triple	Outside-In Ultra
4	Sweep Single End X2	Side-by-Side Single
5	Solid	Side-by-Side Ultra
6	Solid End 2	Kit Scan
7	Solid Chaser	Single (split)
8	Solid Fade	Ultra (split)
9	Blink Double	Single H/L (split)
10	Blink Triple	Single (all)
11	Blink Solid	Ultra (all)

Flash Patterns

Momentarily apply +VDC to the Yellow wire, once, to cycle to the next pattern shown in Table 3.

Apply +VDC quickly 3 times to the Yellow wire to reset flash pattern to #1.

Installation Instructions

6391204 4-Switch Panel



4-Switch Panel Installation

1. Connect the wires for the light bar and switch according to Figure 1, below.
2. Connect the Red +VDC wires to a fused source rated according to Table 1, on front.
3. Connect the Black chassis ground wires to a grounded wire or bare chassis connection.
4. Depressing the flash-pattern pulse switch cycle the lights through the various flash patterns as shown in Table 3, on front.
5. Depressing the flash-pattern pulse switch quickly 3 times will reset the flash pattern to #1.
6. Turning the left and right switch on simultaneously will activate the center flashing pattern.
7. To activate the warning function flash patterns, activate the warning function switch and deactivate BOTH arrow switches.

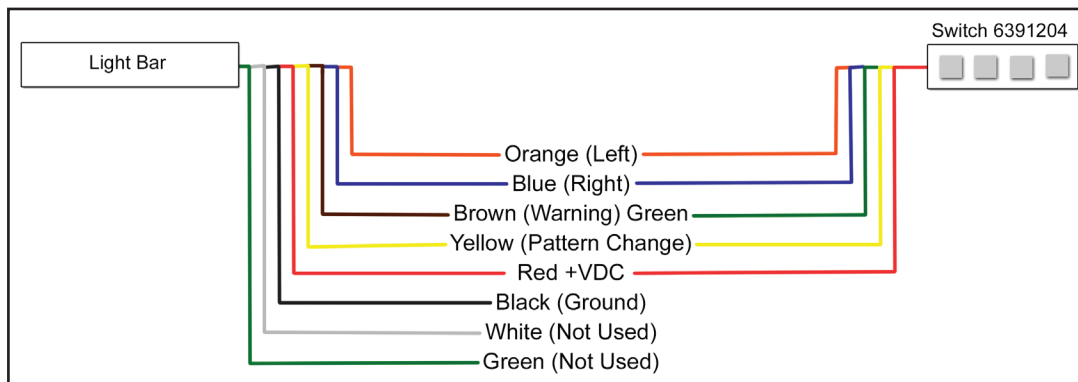
6391207 6-Switch Panel



6-Switch Panel Installation

1. Connect the same color wires in the light bar cable to the same color wires in the switch harness.
2. Connect the Red +VDC wires to a fused source rated according to Table 1, on front.
3. Connect the Black chassis ground wires to a grounded wire or bare chassis connection.
4. Depressing the flash-pattern pulse switch cycle the lights through the various flash patterns as shown in Table 3, on front.
5. Depressing the flash-pattern pulse switch quickly 3 times will reset the flash pattern to #0.
6. Depressing the AUX switch will apply low power to the LEDs and dim the brightness slightly.

Figure 1



WARRANTY

Buyers Products Co. warrants all truck/trailer hardware manufactured or distributed by it, to be free from defects in material and workmanship for a period of one year from date of shipment. Parts must be properly installed and used under normal conditions. Any product which has been altered, including modification, misuse, accident or lack of maintenance will not be considered under warranty. Normal wear is excluded. The sole responsibility of Buyers Products Co. under this warranty is limited to repairing or replacing any part or parts which are returned, prepaid, and are found to be defective by Buyers Products Co. Authorization from Buyers Products Co. must be obtained before returning any part. No charges for transportation or labor performed on Buyers' products will be allowed under this warranty.