

02-03 EXPLORER WITH CK RUNNING BOARD FRONT MUD GUARD SET

FRONT MUD GUARD INSTALLATION INSTRUCTIONS

Please read instructions thoroughly before installation.

Tools Required:

- 1/8" drill bit / Drill
- Center punch / Hammer
- Short Phillips screwdriver
- Marking utensil (fine tip marker, grease pencil, etc.)

Package Contents

- Driver & passenger side mud guard
- 1" #10 screws (qty. 8)
- Washers (qty. 2)
- U-clips (qty. 2)
- Instruction sheet

NOTE: Turn the front wheels all the way to the left or right for mud guard installation. However, it may be necessary to remove the wheels depending on the tools being used for installation.

1. Clean and degrease the mud guard location area on the fender before installation.
2. Remove existing fastener from location A (see Figure 1).
3. Attach mud guard to fender with a #10 screw and washer thru mud guard, fender, and into a U-Clip placed on the backside of fender (see Figure 2), check to make sure mud guard is evenly covering tire and is parallel to the ground.
4. Using mud guard as a template, mark, center punch, and drill 1/8" holes at locations B, C & D (Figure 1).
5. Attach mud guard to fender with 1" #10 screws at locations B, C, & D.

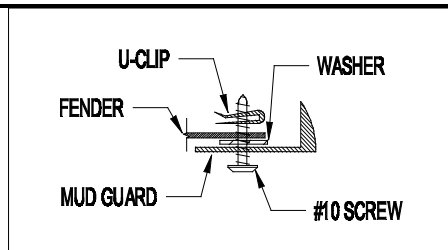


Figure 2

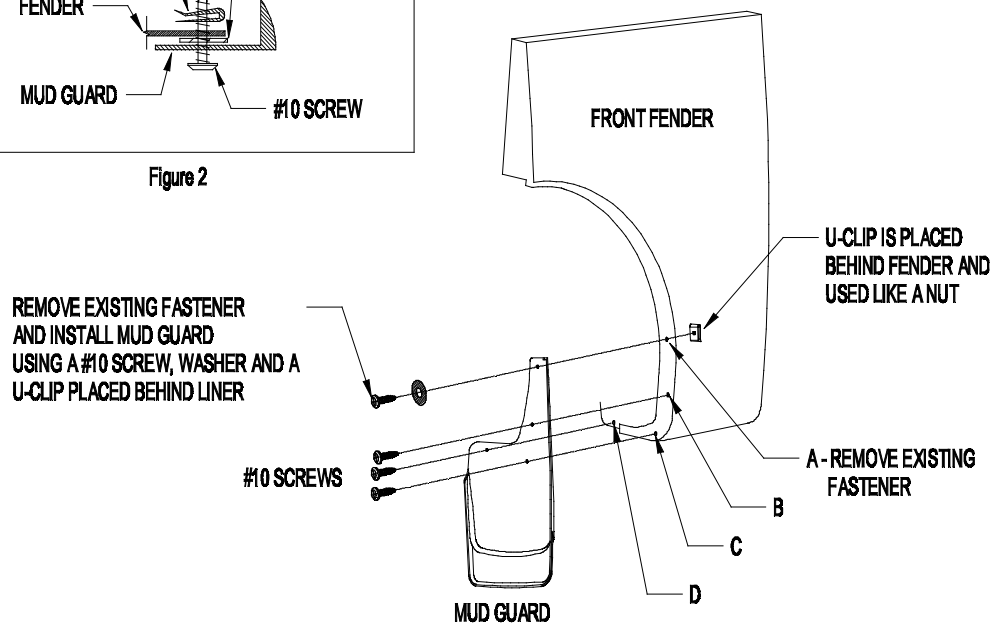


Figure 1

PAINTING INSTRUCTIONS

1. Clean mud guard with a soap and water solution to remove dirt and other contaminants.
2. Sand painting surface with 320 grit sand paper.
3. Apply a coating of flexible primer-adhesion promoter.
4. Apply a flexible paint as directed by the paint manufacturer