

Installation/Operation/Instructions

Dump Inserts

5531000 - 8ft. steel dump insert

5531006 - 6ft. steel dump insert

5532000 - 8ft. polymer dump insert

5534000 - 8ft. stainless steel dump insert

5534006 - 6ft. stainless steel dump insert



5534000
5534006



5532000



5531000
5531006

⚠ WARNING

- Do not load over 6,000 lbs.
 - Vehicle, dump insert and cargo must not exceed manufacturer's gross vehicle weight rating.
 - Safety bar must be secured before servicing the dump unit.
 - Do not place any part of your body under dump unit without safety bar being secured.
 - Do not attempt to secure safety bar or block dump body under loaded conditions.
 - Tailgate must be properly locked at all times.
 - During operation of dump insert keep all body parts clear of mechanical operating devices, structural supports and fastening systems.
- FAILURE TO ADHERE TO THE MANUFACTURER'S PUBLISHED WARNINGS COULD RESULT IN LOSS OF CONTROL, SEVERE PERSONAL INJURY OR DEATH.**

Installation

These instructions will cover installation procedures for both the 5532000 (polymer), 5531000/5531006 (steel) & 5534000/5534006 (stainless steel) dump bodies.

1. After receiving you dump body ensure that necessary components and hardware have been shipped and that unit is not damaged. See packing list for complete breakdown of component parts.
2. Before starting to install the dump body ensure that the vehicle is on flat level ground and vehicle brakes are applied and use wheel chocks for safety measures.
3. Remove tailgate from vehicle. Place tailgate in safe area so tailgate does not get damaged.
4. Check fluid level of pump unit. The unit should be filled approximately 1/2" from the top of the reservoir. Use only SAM™ or Dextron brand hydraulic fluid and do not over fill unit.
5. Connect battery cables to pump unit as shown on page 4. Do not connect cables to vehicle at this time.
6. Insert DumperDogg® into bed of truck insuring proper clearance is achieved. Ensure the rear rail of the DumperDogg™ sits inside the truck bed. Be sure the pump unit cover does not sit against the front bed wall.
7. Follow Figure 1 (pg. 3) to locate the proper mounting locations. On an 8 foot bed there is a cross member located approximately 78"-80" inside the truck bed, it is easier to locate this cross member from the underside of the truck. On most trucks there is already a hole provided in the center of this cross member. Drill 5/8" through this existing hole into truck bed. This hole should align with the slot provide in the DumperDogg® frame centered in the truck bed. Temporary power may be needed to raise dump bed to secure hardware. If bed is lifted use safety bar to prop bed in the up position. Once this hole is drilled and aligned with the frame use hardware to fasten along with steel backer plate to reinforce the attachment point. (Backer Plates not provided)

⚠ WARNING

When using the included Hook(s) to mount the DumperDogg® to the truck you must be sure that they are properly secured and the DumperDogg® frame is unable to move in any direction. To accomplish this, you may need to use a fastener in each slot of the Hook(s) and/or install fasteners at the ends of the slots so that the Hook(s) and/or DumperDogg® cannot move after installation. Periodically verify that all mounting hardware is secured (checking before each use is recommended).

⚠ WARNING

The DumperDogg® must not be installed directly to the sheet metal of the bed. If no frame or structural member is present at the attachment point then reinforcing, steel backer plates must be used. Failure to do so may cause damage to the truck and will void the DumperDogg® warranty.

8. Locate the two holes located in the bottom of the DumperDogg™ frame at the tailgate area. Ensure there is clearance through the bed of the truck where these holes are located. If there are no wires and or obstructions, use holes as guides to drill through bed of truck. Again use proper hardware to secure dump unit to truck.
9. Route and attach cables to battery and pump. Make sure cables are secure and away from exhaust and clear of any sharp edges, do not let cables dangle at any point, use zip ties to fasten in place. If you will run cables into cab of vehicle in sure grommets are use when routing through sheet metal. Never expose bare cables to truck frame or other metal surfaces. Keep cables clear of dump frame so they do not get pinched during operation. **A good ground connection is needed to operate the Power Unit. Ensure that a good ground is achieved by connecting the negative (-) cable to the threaded hole marked "GND" in the block of the Power Unit.**
10. Mount hand control in cab. The hand control must be placed into cab of truck since it is not water proof. If the hand control is not placed inside the vehicle it will fail. Drill proper holes and again use grommets to protect cables from sheet metal.
11. The unit is now ready for operation. Perform another check on all fasteners and connections at this time. The unit should raise and lower.

Install Remote Control In Cab Of Truck.

1. To install remote control in cab drill 3/4" holes in truck bed and cab. Feed cable through drill holes along with proper grommets. Fasten cable ends to pump unit per diagram and secure. Seal all holes in cab with silicone to ensure water cannot enter cab. When not using remote control be sure to keep it away from vehicle pedals when driving. Place control on or behind seat.

Hydraulic Pump

1. Ensure the reservoir is filled before operation of the unit. Use only SAM™ or Dextron brand new hydraulic fluid in the unit.
2. Make sure all hose lines are connected properly and have no leaks in system.
3. If the power unit should stop operation inspect all connections both electrical and hydraulic.
4. Check for leaks and proper electrical ground of unit.
5. Check fluid level in reservoir.
6. Keep unit clean at all times.
7. Most common failures occur by loose connections in the electrical system and or dirt in the system. See Figure 3 (pg.4) for correct wiring.
8. A good ground connection is needed to operate the Power Unit. Ensure that a good ground is achieved by connecting the negative (-) cable to the Power Unit mounting bolts (as shown on page 5) or threaded hole marked "GND" in the block of the Power Unit.

Fig. 1

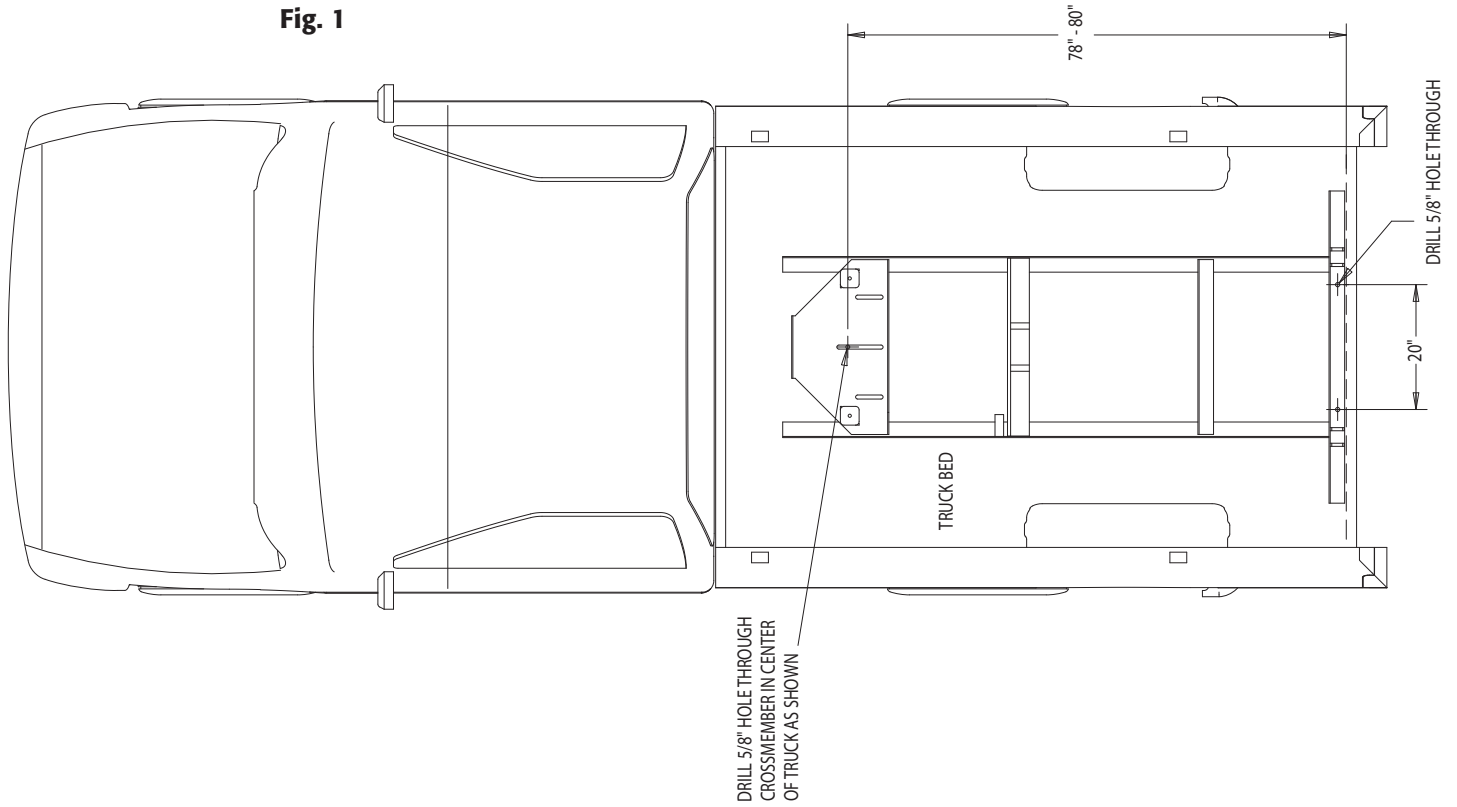
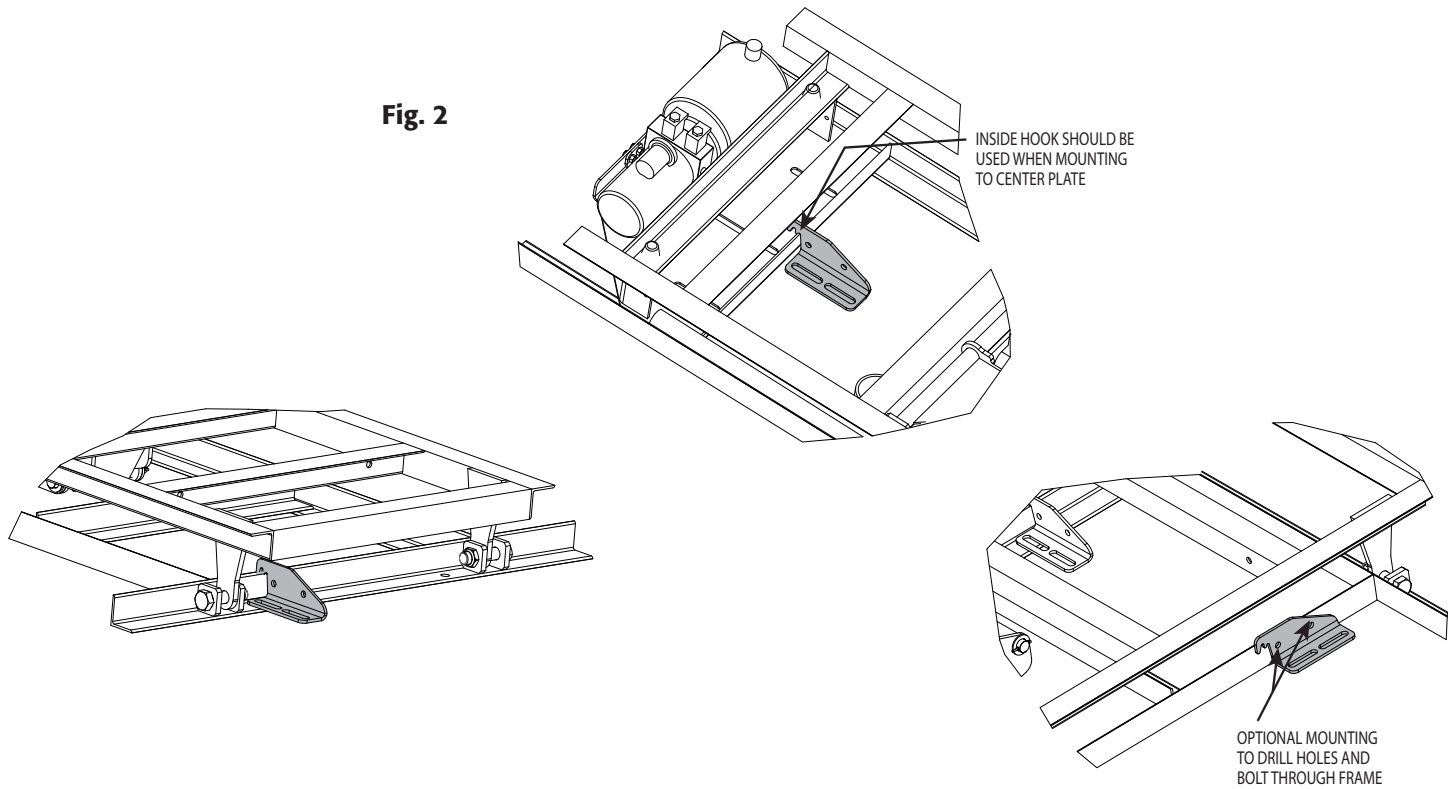
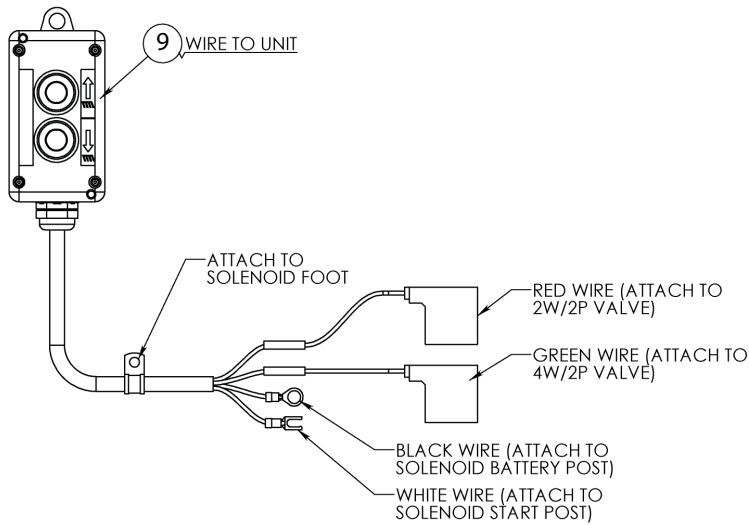
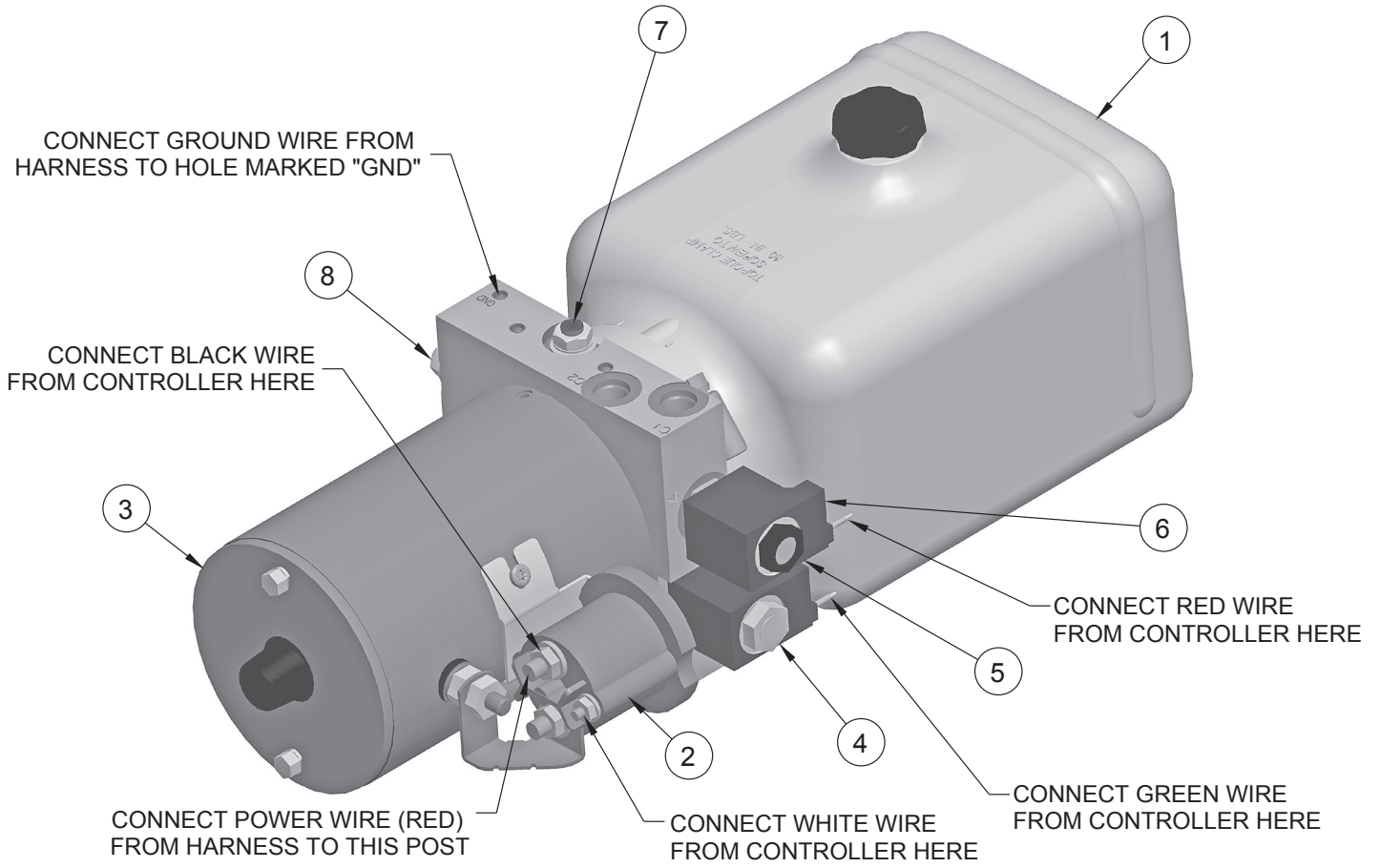


Fig. 2



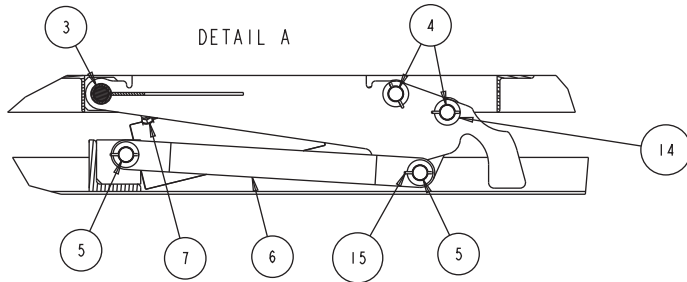
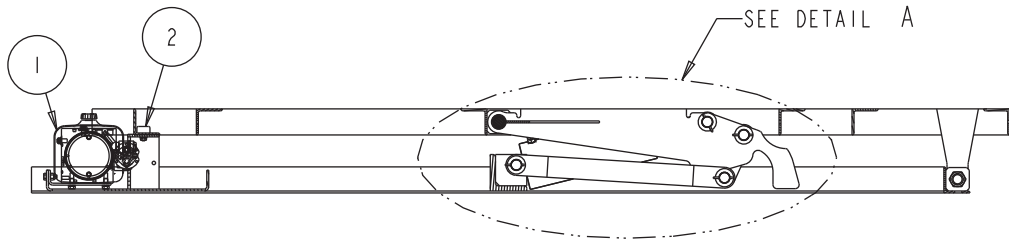
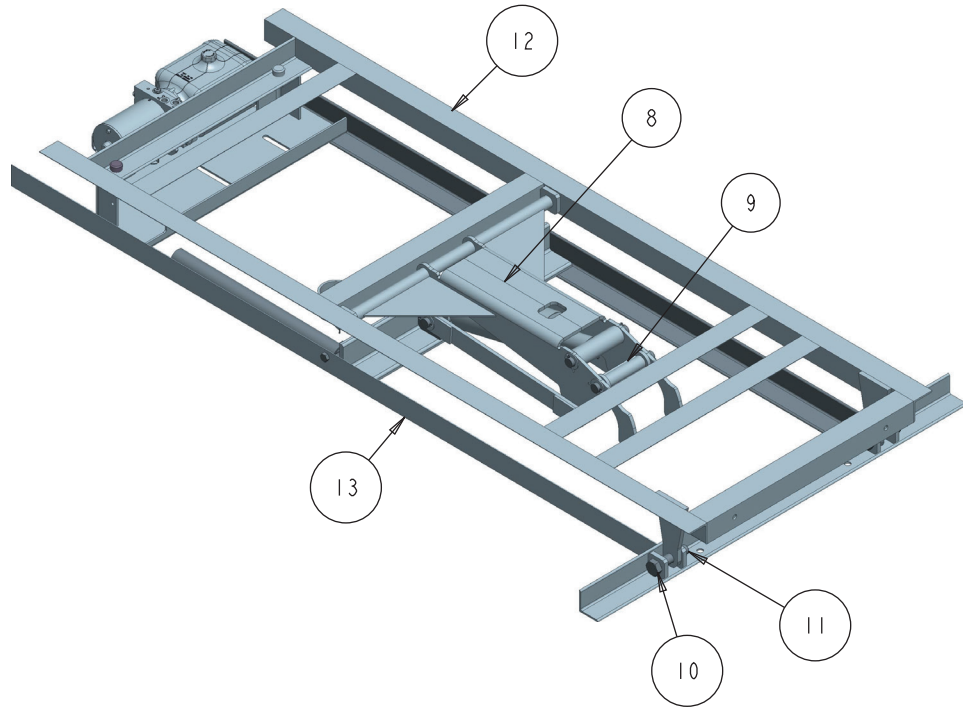
Wiring and Parts List
Fig. 3



Bill of Materials

ITEM	PART NO.	DESCRIPTION
1	K14157	Tank
2	17757	Solenoid
3	M3100	Motor
4	B0455	Cartridge, 4-way, 2-position
5	B7193	Cartridge, 2-way, 2-position
6	B00678	Coil
7	-	System Relief Valve
8	-	C2 Relief Valve
9	17008	Control Box w/ Cord

Frame Unit Common for Polymer and Steel Units

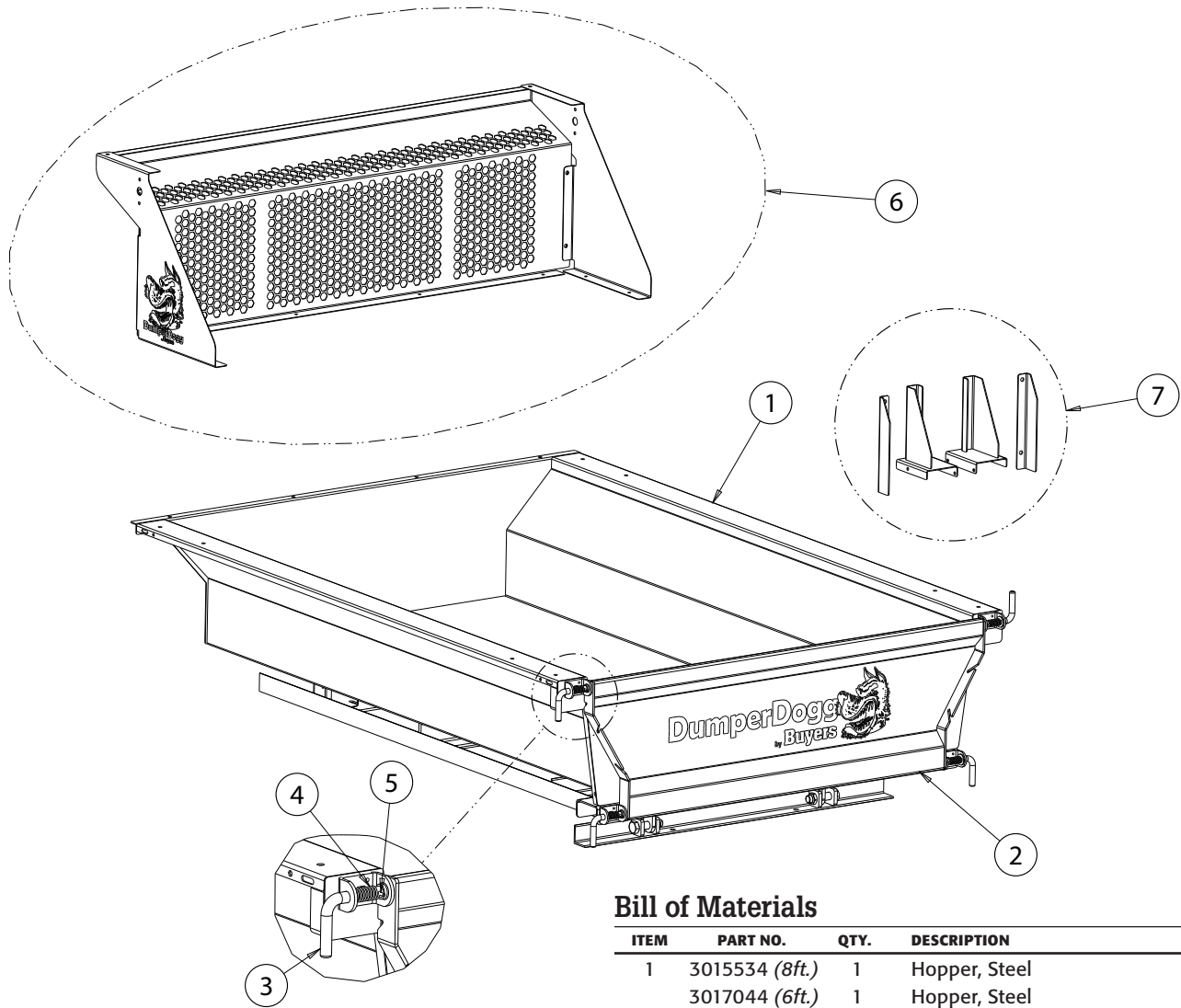


Bill of Materials

ITEM	PART NO.	QTY.	DESCRIPTION
1	PU642TP	1	Pump
2	3003286	2	Bumper
3	3013967	1	Rod
4	3014379	2	Pin Short
5	3014380	2	Pin Long
6	3013956	2	Strap
7	H9515X6X6	2	Fitting
8	3013964	1	Housing, Cyl.
9	3013960	1	Link
10	—	2	Bolt, 1"-14 X 4

ITEM	PART NO.	QTY.	DESCRIPTION
11	—	2	Nut, 1"-14
12	3023134 (8ft.)	1	Top Frame
	3023140 (6ft.)	1	Top Frame
13	3023133 (8ft.)	1	Bottom Frame
	3023141 (6ft.)	1	Bottom Frame
14	—	10	Washer, 1" X 1 3/4"
15	—	10	Cotter Pin, 5/32" X 1.5"
	3014346	1	55" Hyd. Hose
	3014347	1	72" Hyd. Hose

Parts List 8ft . & 6ft. Steel & Stainless Steel Bed Insert



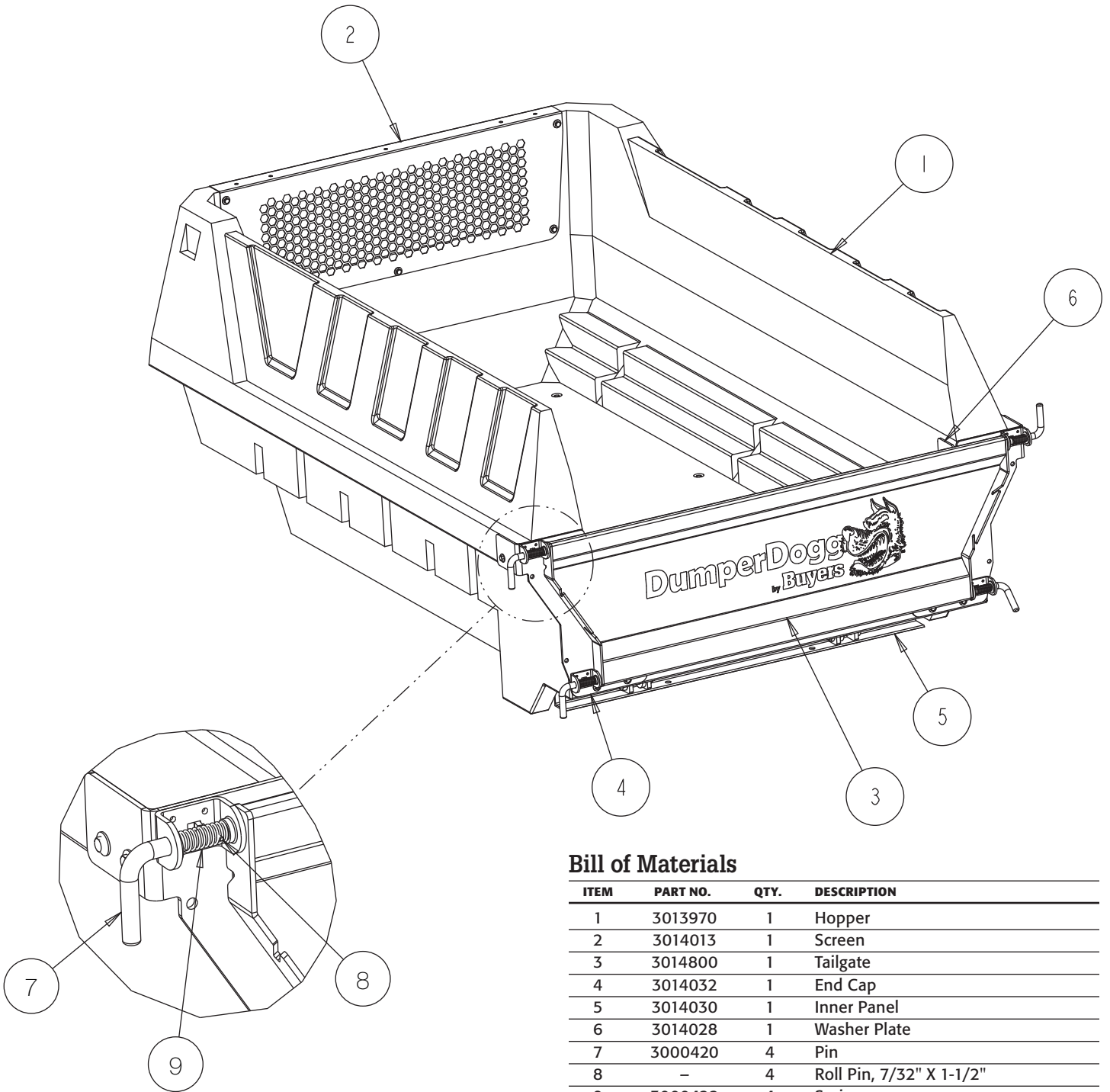
Bill of Materials

ITEM	PART NO.	QTY.	DESCRIPTION
1	3015534 (8ft.)	1	Hopper, Steel
	3017044 (6ft.)	1	Hopper, Steel
	3016602 (8ft.)	1	Hopper, Stainless Steel
	3017093 (6ft.)	1	Hopper, Stainless Steel
2	3021086	1	Tailgate, Steel
	3023202	1	Tailgate, Stainless Steel
3	3000420	4	Pin
	3000420SS	4	Pin, Stainless Steel
4	3000422	4	Spring
	3000422SS	4	Spring, Stainless Steel
5	—	4	Roll Pin, 7/32" X 1-1/2"

Options

ITEM	PART NO.	QTY.	DESCRIPTION
6	5531010	1	Cab Guard, Steel
	5534010	1	Cab Guard, Stainless Steel
7	5531020	1	Bracket Kit, Side Ext, Steel
	5534020	1	Bracket Kit, Side Ext. Stainless Steel
—	DTR5511	1	Roll Tarp Kit, 5.4ft x 11.5ft. (8ft.)
—	DTR5508	1	Roll Tarp Kit, 5.4ft x 9.5ft. (6ft.)
—	5535000	1	Spreader, Dump Insert, Stainless Steel

Parts List
8ft. Polymer Bed Insert



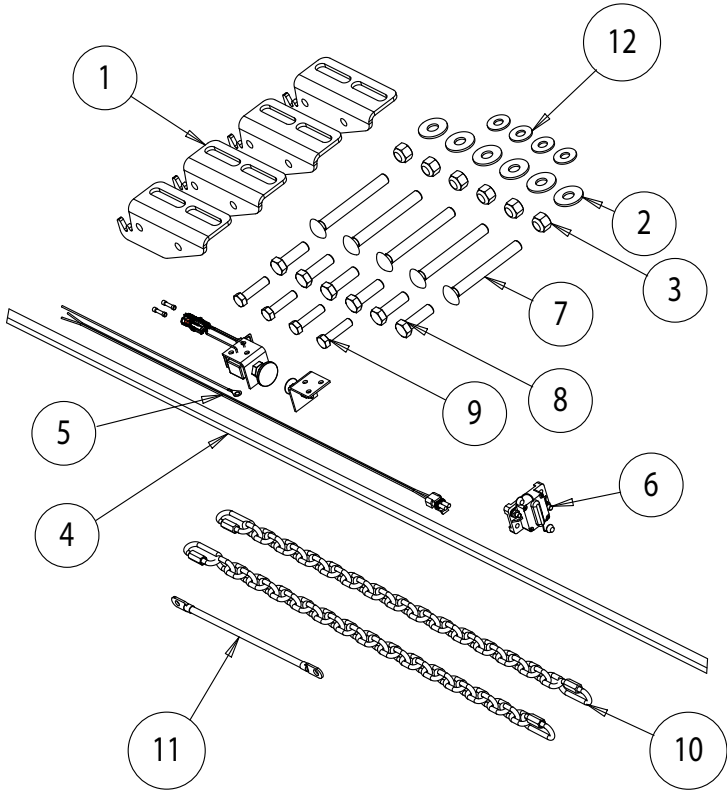
Bill of Materials

ITEM	PART NO.	QTY.	DESCRIPTION
1	3013970	1	Hopper
2	3014013	1	Screen
3	3014800	1	Tailgate
4	3014032	1	End Cap
5	3014030	1	Inner Panel
6	3014028	1	Washer Plate
7	3000420	4	Pin
8	-	4	Roll Pin, 7/32" X 1-1/2"
9	3000422	4	Spring

Options

ITEM	PART NO.	QTY.	DESCRIPTION
-	DTR4510	1	Roll Tarp Kit, 4.6ft x 10ft
-	5535000	1	Spreader, Dump Insert, Stainless Steel

Mounting Kit Common for Polymer and Steel Units



Bill of Materials (Kit No. 3014016)

ITEM	PART NO.	QTY.	DESCRIPTION
1	3015469	4	Hook, Dump Body
2	-	6	Washer, FL - 5/8 USS ZN
3	-	6	Nut, Nylock 5/8-11, ZN
4	3014298	1	Wire Assembly, Dump Body
5	SK10	1	Kit, Body Up Switch
6	CB150PB	1	Breaker, 150 AMP
7	-	5	Bolt, Carriage, 5/8-11 x 5.5, GR .5 ZN
8	-	6	Screw, Hex Cap 5/8-11 x 2 GR5 ZN
9	-	4	Screw, Hex HD - 1/2-13 x 2 GR 8 ZC YEL
10	B31648SC	2	Chains
11	3008518	1	Harness, Battery
12	-	4	Washer, Flat, .500 x 1.38 x .14, ZN
	3000394	1	Bag, Poly 18 x 6 x .004 MIL
	3014017	1	Instruction Sheet, Dump Body
	EY50BX	1	Box, 13 x 13 x 7.5, 275# RSC
	3000165	1	Label, 1" x 3" Adhesive
	3014019	2	Chain Guards

DUMPERDOGG® WARRANTY INFORMATION

This warranty replaces all previous warranties and no employee of this company is authorized to extend additional warranties, or agreements, or implications not explicitly covered herein. This warranty is not transferable.

Buyers Products Company warrants all parts of the product be free from defects in material and workmanship for a period of two (2) years from date of purchase. Parts must be properly installed and used under normal conditions. Normal wear is excluded.

Any part, which has been altered, including modifications, misuse, exceeding stated capacities, accident, or lack of maintenance will not be considered under this warranty.

The sole responsibility of Buyers Products Company under this warranty is limited to repairing or replacing any part(s), which are returned, prepaid, 30 days after such defect is discovered, and returned part(s) are found to be defective Buyers Products Company.

Prior to submitting a claim, your DumperDogg® must be registered with Buyers Products. You may be required to submit a copy of the original bill of sale, provide any components related to the claim and provide documentation requested (including photos).

Authorization from Buyers Products Company must be obtained before returning any part. The following information must accompany defective parts returned to Buyers Products Company: RMA #, dump insert model, serial number, date installed, and distributor from whom purchased.

Buyers Products Company shall not be liable for damage arising out of failure of any unit to operate properly, or delay in work, or for any consequential damages. No charges for installation/de-installation, paint, fluids, etc. will be allowed under this warranty. No charges for transportation or labor performed on any part will be allowed under this warranty.

WARNING

Extending the sides of the DumperDogg® higher than specified by the DumperDogg® brand Side Extension Kits may cause damage to the unit and will void the warranty. (The Steel Body limit is 12" and the Poly Body limit is 16")